

PINPAD Single Door Access Controller

STAR™

PIN120

Key Features

- Single Door Access Controller
- 128 PIN numbers (512 optional)
- User defined 4~6 digit PIN numbers
- 1 exit input and 2 Relay outputs
- Chime bell output
- All I/Os and operating Times user front programmable
- Door lock / unlock function
- Anti-magnetic protection
- Try-out error alarm and keypad lock
- 3 LEDs for system operation status
- Back lighting on keypad
- 100% Weather Proof



General

STAR PIN120 is an intelligent Single Door Access Controller based on powerful 8 bit micro-processor to meet a simple and the most cost-effective access control market requirement.

User friendly device will allow you to register up to 128 PIN numbers (4~6 digit) and easy to add or delete PIN numbers.

System will alarm in case of number of times wrong number entry and Tamper switch opens and you may use alarm relay output as a shunt relay for existing burglar alarm system.

The modern design and easy installation will provide you an accurate access control for single door and 3 LED indicators informs you all system operating status at real time.

STAR PIN120 will give you field proven reliability and the most cost-effective solution anywhere the access controls and high security is required.

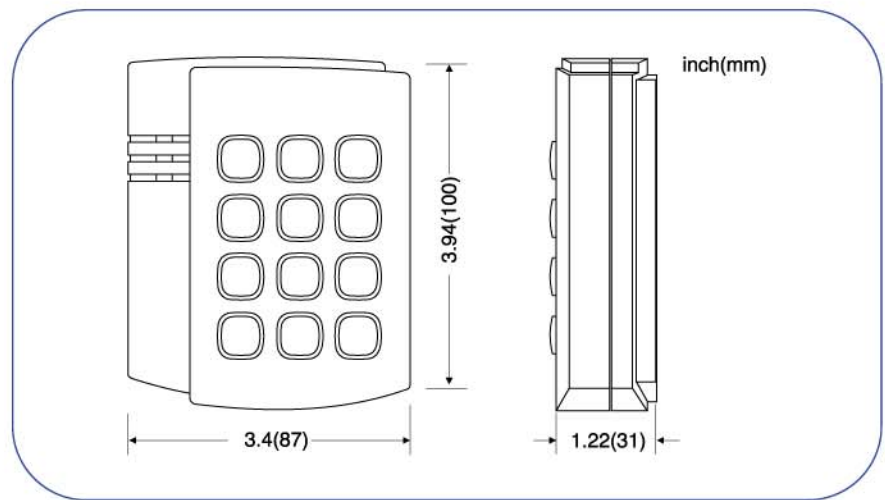


Specifications

| | |
|-----------------------|---|
| CPU | 8bit microprocessor |
| Memory | Program memory : 20KB ROM Data memory : 512 Bytes FLASH memory |
| PIN numbers | 128 PIN numbers |
| Input / Output ports | Inputs : 1 ea Relay Outputs : 2 ea (COM, NO, NC) Chime bell output : 1 ea |
| Keypads | 12 numeric keypad with back lighting |
| Self Diagnostic | Yes |
| LED indicators | 3 LEDs (red, green and yellow) |
| Power | DC 12V, 100mA. |
| Operating Environment | -35°C ~ +65°C, 10% ~ 90% humidity |
| Reset | Watch-dog timer & power on reset |
| Color | Dark pearl gray |
| Weight | 197g (0.44 lbs) |



Dimensions



*PINPAD Single
Door Access
Controller*

The specifications contained in this catalog are subject to change without notice at any time.



Ohana International Enterprises, Ltd.
Hi-Tech Security Division

1333 Moku Place, Suite I
Honolulu, Hawaii 96822
Toll Free: [877] 99-OHANA
Phone: [808] 834-8551
Fax: [808] 839-4485